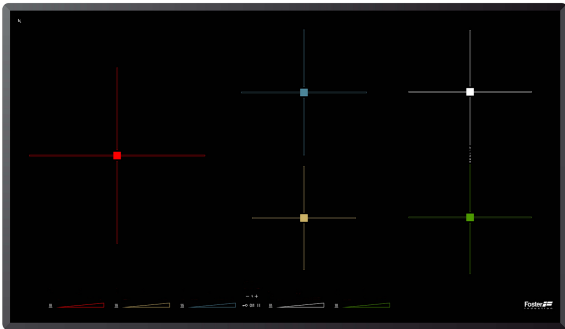


## Cooker hob S4000 Induction Bridge 7390 245

Cooker hobs

Code: 7390 245



### DETAILS

Coloring	Black
Material	Ceramic glass
Edge/Installation Type	Bevelled Edge - for flush-mount or over-mount installation
Dimensions	900x520 mm
Heating element	Five zones
Built-in hole	View technical data sheet (for all Flush-mount / Top-mount models and Under-mount models)
Total power	11.100 W**
Left	Ø 260 mm-2.600 (3.700)* W
Centre	Ø 145 mm-1.400 (2.200)* W

Up-centre	Ø 180 mm-1.850 (3.000)* W
Right	2x220x180 mm-2.100 (3.700)* W
Power settings	9 power settings per zone + Powerboost

Safety	Safety equipment
--------	------------------

Type	Induction Hob
------	---------------

Type of commands	Touch Control
------------------	---------------

Notes:	** Correct operation of the hob provides a user of at least 7 kW of power.
--------	--

Notes:	* Powerboost
--------	--------------

## FEATURES

Powerboost	Booster function provides increased power to the selected plate. In particular, when the Booster is activated, the plate works for ten minutes at a very high power that allows to heat quickly large quantities of water.
------------	--

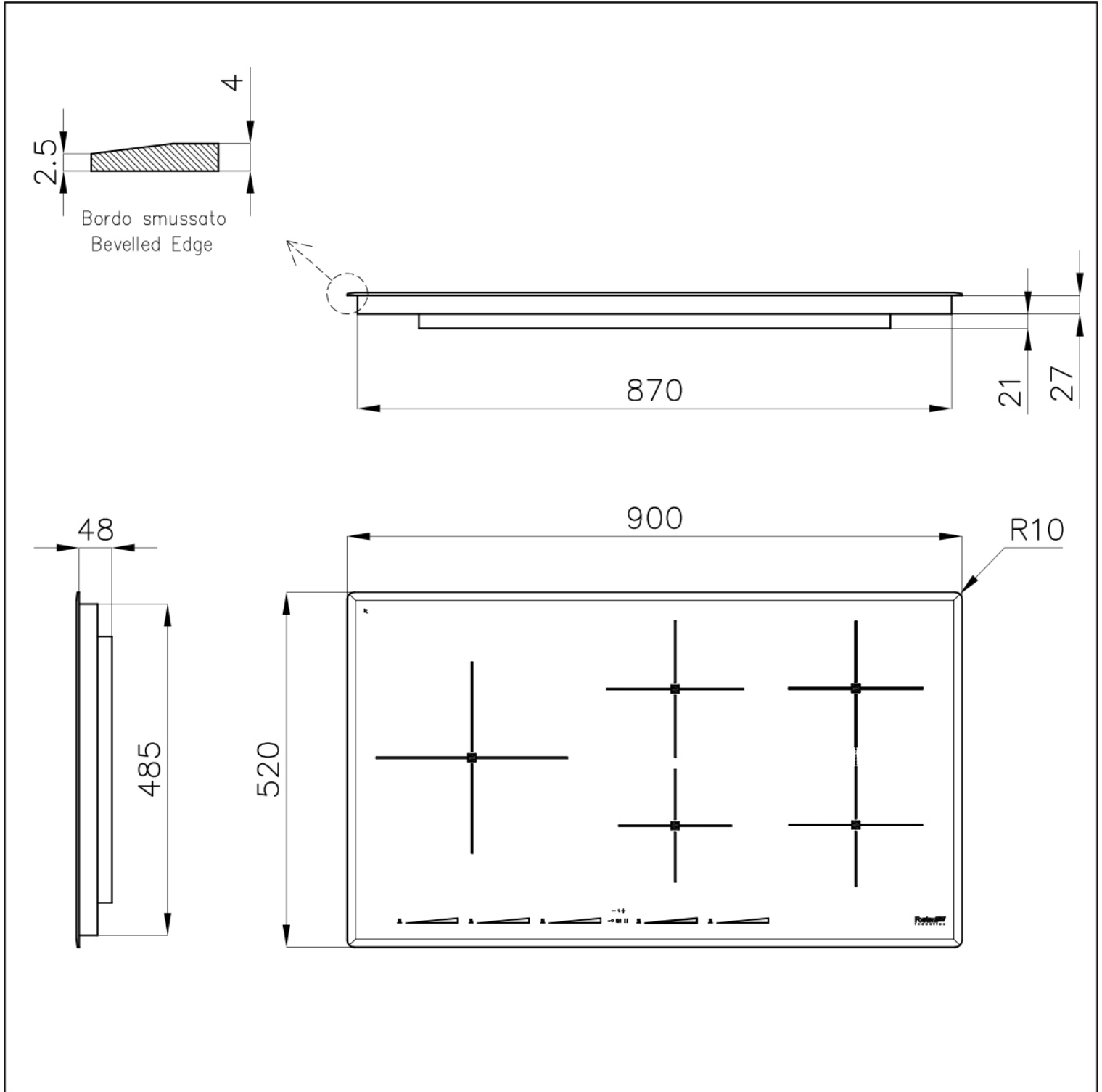
Pot detector	All induction cooker hobs detect the pot resting on them, but they also calculate the area they cover. This system allows the energy to be used even more efficiently. Moreover, the plates switch off automatically when the pot is removed.
--------------	---

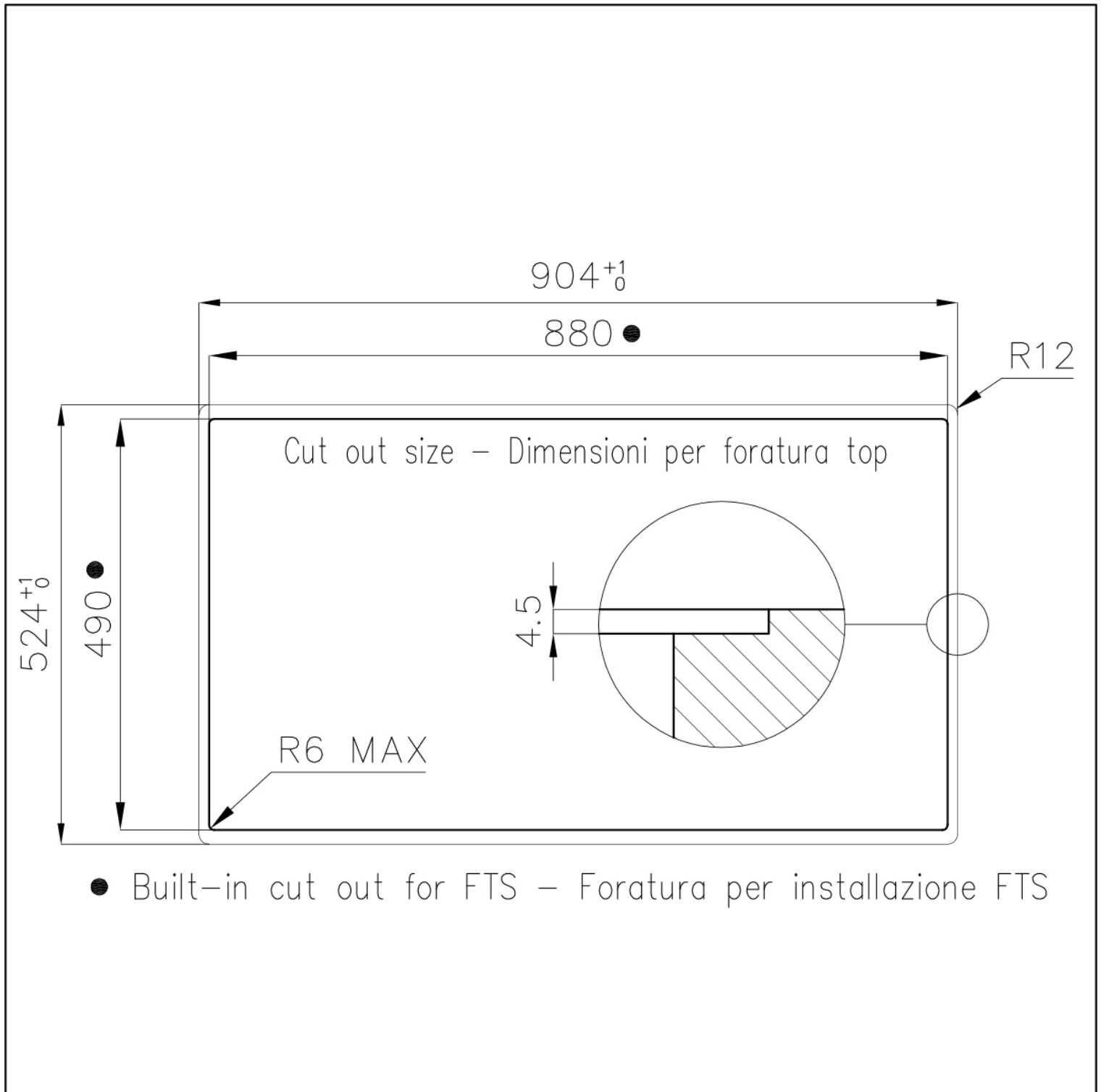
End-of-cooking programming	All operations are programmed by means of the touch-control on the glass itself. Each cooking plate is capable of independent programming, and thus the possibility to set different cooking times.
----------------------------	---

Timer	Independent timer from the end-of-cooking function.
-------	---

Slider commands	The Slider control allows for extremely quick temperature setting: with a light touch of the finger you may select the desired power level on the TOUCH display.
T-chef function	It's a function that allows to set particular temperatures (42 °C, 70 °C, 84 °C) and keep them constant during cooking. Elaborate preparations can be easily obtained, with chef-like results. Cooking in a bain-marie, without the aid of a double container for the water, custard or cream sauce will thus always be perfect. By setting the temperature close to boiling, liquids will immediately reach the requested temperature, increasing speed and performance.
Go&stop function	This device initially turns on the plates at maximum power until the selected temperature has been reached.
Recall	This feature allows you to call back the last settings selected in the previous cooking.
Pause	Useful function that allows you to distract your attention from cooking, interrupting and restoring the settings immediately.
Smart fan system	Correct ventilation is essential for the induction hob to function in the best possible way. The Foster system automatically regulates the amount of ventilation to suit the temperatures reached.
Safety	All electric cooker hobs feature the most modern and sophisticated safety protections: Centralised power-off function; Child-proof safety lock; Residual heat warning lights. Induction models feature the following functions: Safety System that turn off the hob in the absence of the pot; Overflow detector that automatically turns off the plate in case of liquid overflow; Automatic deactivation to prevent accidents caused by forgetfulness.
Bridge zone	The new hobs with Bridge function allow to associate two zones forming a single extended cooking zone for pots of large size, or for more than one cooking simultaneously, with maximum flexibility in pot positioning. With the additional Double Booster feature provided by all Bridge hobs, the exceptional 3700 W power can be concentrated on a single plate or made available uniformly over the enlarged area.

## TECHNICAL DATA





## OPTIONAL ACCESSORIES



Induction Pro - Cookware set -  
8pcs 8210 008

## RECOMMENDED PAIRINGS



Hood S4001 island  
2442091\_2442121



Sink Milanello workstation 1043  
05x