

Hood S4001 wall 2440091-2440121



Hoods

Code: 2440 __1

Code: 2440 091 90 cm

Code: 2440 121 120 cm



DETAILS

Chimney height 630 - 1050 mm

Energy class A+

Product details Telescopic chimney

Grease filters 2 grease filters

Operation Suction hood (filtering mode with optional carbon filters)

Air exhaust hole \varnothing 120/150 mm

Lighting LED lighting: 6 x 1W (5.600 kelvin)

Material/Finish Satin finish AISI 304 stainless steel

Air flow rate 700mc/h

Motor power 160W

Hood type Wall-mounted suction wood

Type of commands Minimal electronic controls

Suction speed 4 operating speeds

FEATURES

Auto delayed shutdown All the models with electronic interface can be programmed to turn off the suction at a postponed moment, so as to prolong the aeration of the room even after the cooking has been completed.

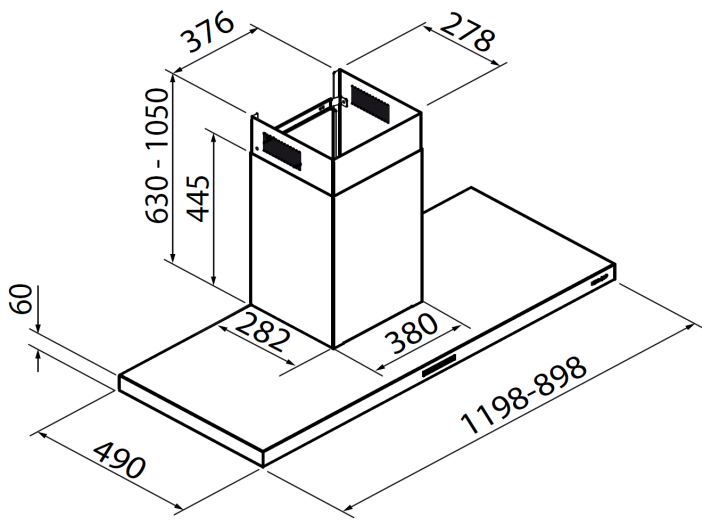
Brushless motor State-of-the-art Brushless motors allow high air flow rates while maintaining a low energy consumption. Furthermore, they have an almost never-ending duration.

high performance Foster hoods motors have a high suction capacity. Their refined design hides a powerful appliance with professional features.

Led lighting Particular attention to energy saving with LED lighting systems. They assure a 10 times lower consumption and a 10 times longer duration. Our LED lights are designed to create an adequate comfort and safety in the cooking area.

Perimetric aspiration The perimeter suction is a feature common to many Foster hoods. The filters are hidden by steel- or crystal plates and the suction occurs along their perimeter. This has aesthetic advantages but also functional ones: the cleaning is easier, the suction power and noise-level are improved. The depression which occurs in the perimeter area facilitates in fact the suction of the particles composing the fumes.

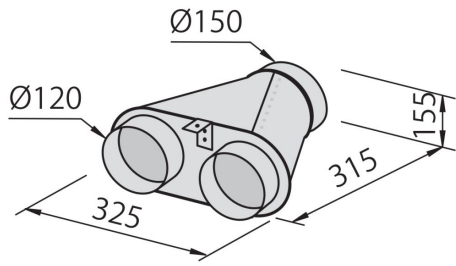
TECHNICAL DATA



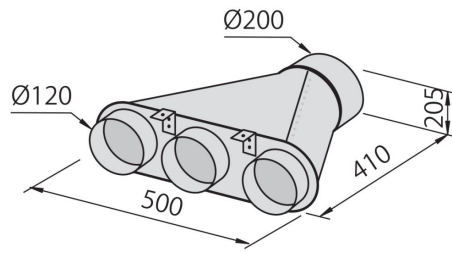
GALLERY



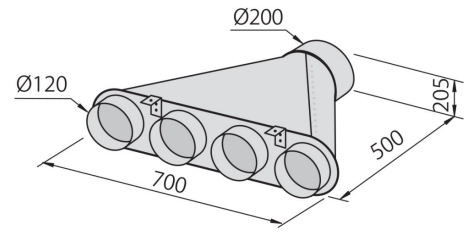
OPTIONAL ACCESSORIES



Collector for 2 pipes 2523 000



Collector for 3 pipes 2524 000



Collector for 4 pipes 2525 000



Flexible silencing canalization
9700 602



Flexible silencing canalization
9700 603



Long Life carbon filter 9700 001