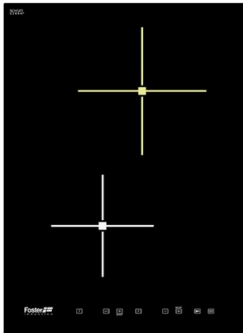


Cooker hob S4000 Domino Induction 7322 240

Cooker hobs

Code: 7322 240



DETAILS

Edge/Installation Type Vertical edge - for flush-mount or over-mount installation

Dimensions 380x520 mm

Base size 38cm

Heating element Two zones

Cut out Check technical data sheet

Down Ø 160 mm-1.200 (1.400)* W

Material/Finish Black Ceramic/glass

Total power 3.700 W

Up Ø 200 mm-2.300 (3.000)* W

Power settings 9 power settings per zone + Powerboost

Safety Safety equipment

Type Induction Hob

Type of commands Touch Control

EQUIPMENT

FEATURES

End-of-cooking programming All operations are programmed by means of the touch-control on the glass itself. Each cooking plate is capable of independent programming, and thus the possibility to set different cooking times.

Pot detector All induction cooker hobs detect the pot resting on them, but they also calculate the area they cover. This system allows the energy to be used even more efficiently. Moreover, the plates switch off automatically when the pot is removed.

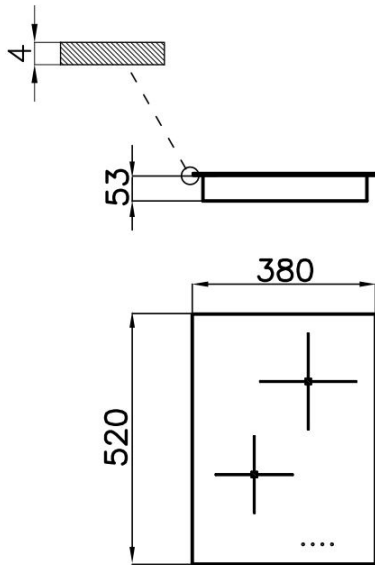
Powerboost Booster function provides increased power to the selected plate. In particular, when the Booster is activated, the plate works for ten minutes at a very high power that allows to heat quickly large quantities of water.

Safety All electric cooker hobs feature the most modern and sophisticated safety protections: Centralised power-off function; Child-proof safety lock; Residual heat warning lights. Induction models feature the following functions: Safety System that turn off the hob in the absence of the pot; Overflow detector that automatically turns off the plate in case of liquid overflow; Automatic deactivation to prevent accidents caused by forgetfulness.

Smart fan system Correct ventilation is essential for the induction hob to function in the best possible way. The Foster system automatically regulates the amount of ventilation to suit the temperatures reached.

Timer Independent timer from the end-of-cooking function.

TECHNICAL DATA



GALLERY



EQUIPMENT



Spacer for Domino elements
8320 000

OPTIONAL ACCESSORIES



Induction Pro - Cookware set -
8pcs 8210 008