

Mixer Tap Arsenio 8471 000

Mixer Taps

Code: 8471 000



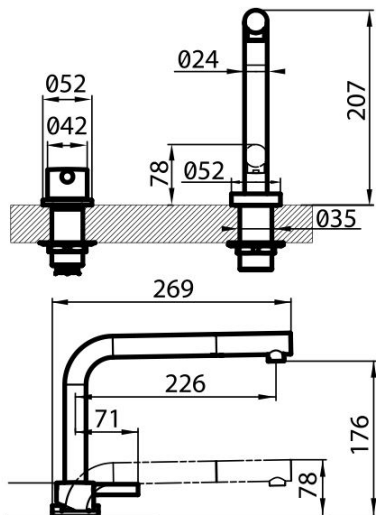
DETAILS

Rotating angle	360°
Strengthening plate	ø52mm
Cartridge	With ceramic discs
Holes distance	max 500 mm - min. 85 mm
Double hole requested	Necessary
Mixer hole	ø35mm
Material/Finish	Chromed
Max worktop thickness	40mm
Mixer type	Single-lever mixer tap with rotating, collapsible barrel (Up&Down), with extractable head and remote control.

FEATURES

- Extractable head** The head of the tap is extractable, in order to easily reach any area of the sink.
-
- Rotating angle** All the taps have a wide angle of rotation. Some models even permit a full 360° rotation.
-
- Strengthening plate** Foster's mixer taps are equipped with the strengthening plate that offers perfect stability on any sink.
-

TECHNICAL DATA



GALLERY

