

Mixer Tap 1/2 Circle 8480 000

Mixer Taps

Code: 8480 000



DETAILS

Rotating angle 360°

Strengthening plate ø50mm

Cartridge With ceramic discs

Mixer hole ø35mm

Rear encumbrance 40mm

Material/Finish Chromed

Max worktop thickness 40mm

Mixer type Single lever mixer tap with rotating barrel.

FEATURES

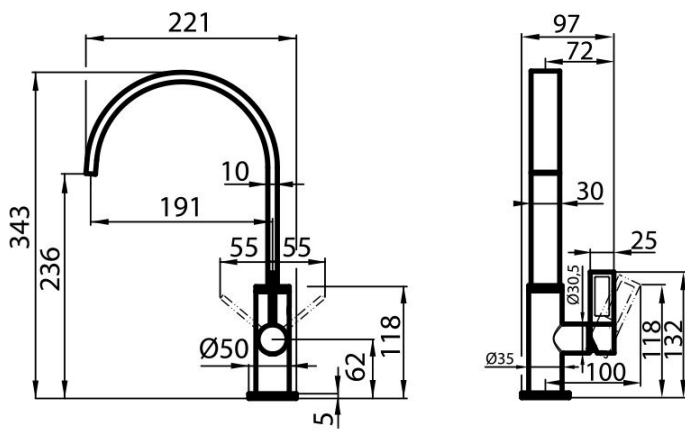
Rotating angle

All the taps have a wide angle of rotation. Some models even permit a full 360° rotation.

Strengthening plate

Foster's mixer taps are equipped with the strengthening plate that offers perfect stability on any sink.

TECHNICAL DATA



GALLERY

