

Mixer Tap Magnum 8484 000

Mixer Taps

Code: 8484 000



DETAILS

Rotating angle 360°

Strengthening plate ø50mm

Cartridge With ceramic discs

Mixer hole ø35mm

Rear encumbrance 50mm

Material/Finish Chromed

Max worktop thickness 50mm

Mixer type Single lever mixer tap with rotating barrel and flexible shower head.

FEATURES

Double jet (flow and rain)

Several models are equipped with a switch to easily change the flow from continuous to shower.

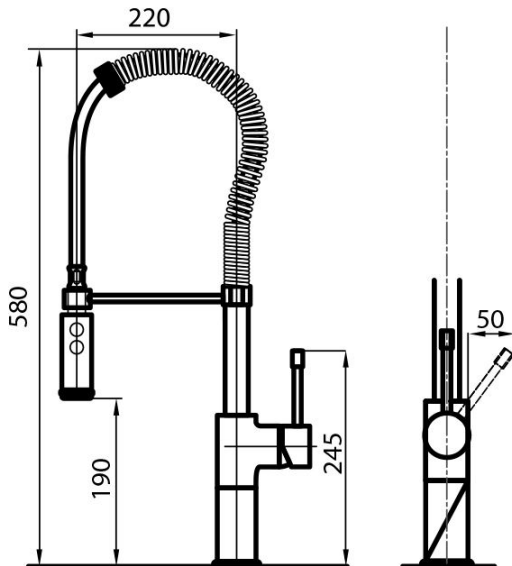
Rotating angle

All the taps have a wide angle of rotation. Some models even permit a full 360° rotation.

Strengthening plate

Foster's mixer taps are equipped with the strengthening plate that offers perfect stability on any sink.

TECHNICAL DATA



GALLERY

