

Plate-warmer module S4001

Ovens and Coordinated Products

Code: 7138 001



DETAILS

Material Stainless steel + glass

Texture Satin Finish ANTI-TOUCH

Supply 220-240 V 50/60 Hz

Opening Extractable trolley

Dimensions 60x14 cm

Indoor Stainless steel interior and Crystal base

Temperatures 40 - 70 °C

Oven type Plate-warmer module

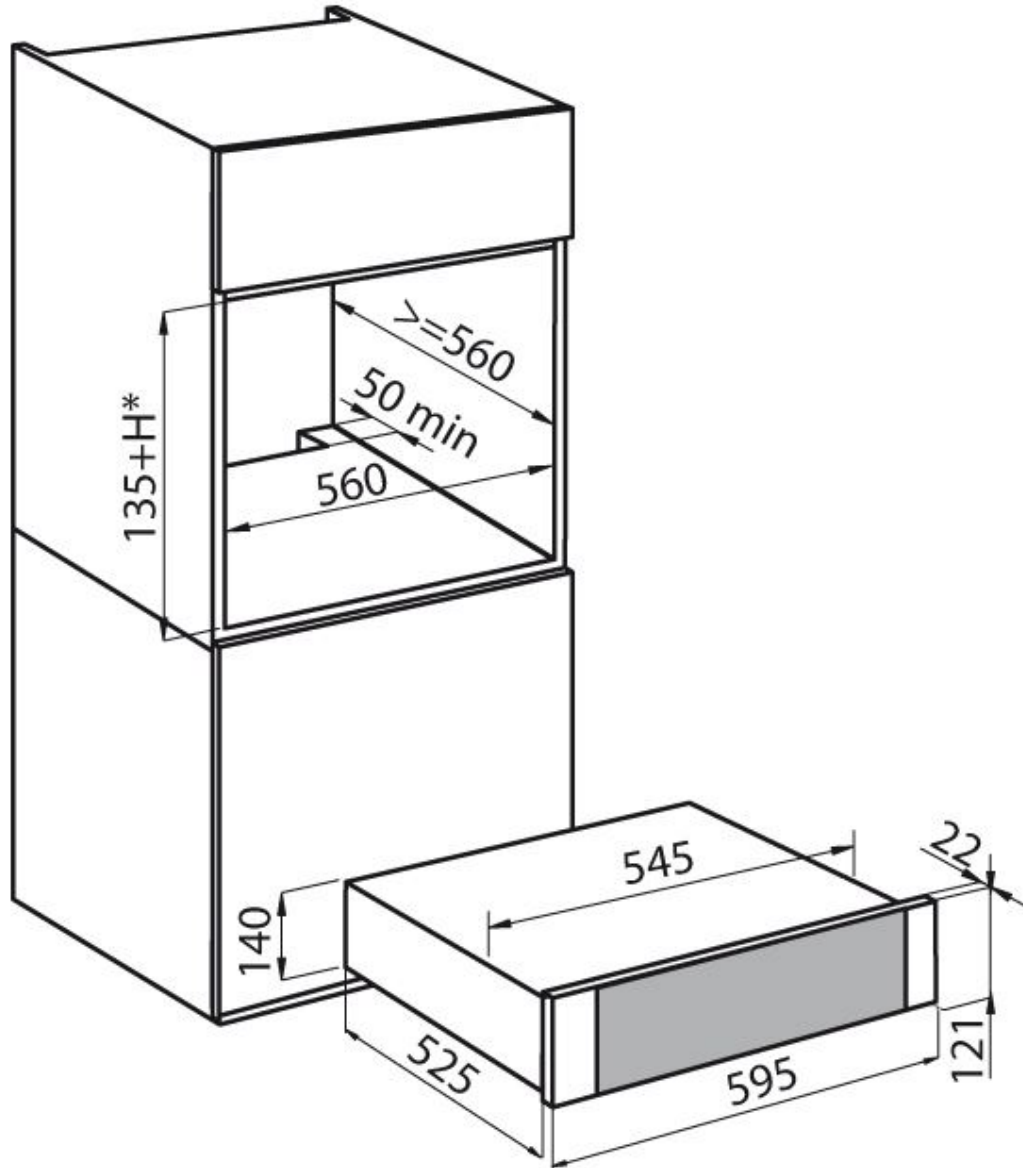
Type of commands Touch Control

Use Suitable for heating and maintaining food temperature

FEATURES

Anti-touch finish The steel parts of the door, thanks to the special protection, are perfectly smooth and protected from fingerprints, while maintaining the elegance of the satin finish.

TECHNICAL DATA



GALLERY

