

Mixer Tap Omega Satin

Mixer Taps

Code: 8497 100



DETAILS

Texture Satin

Material Brass

Rotating angle 360°

Strengthening plate ø50mm

Cartridge With ceramic discs

Mixer hole ø35mm

Rear encumbrance 35mm

Max worktop thickness 40mm

Mixer type Single lever mixer tap with rotating barrel.

FEATURES

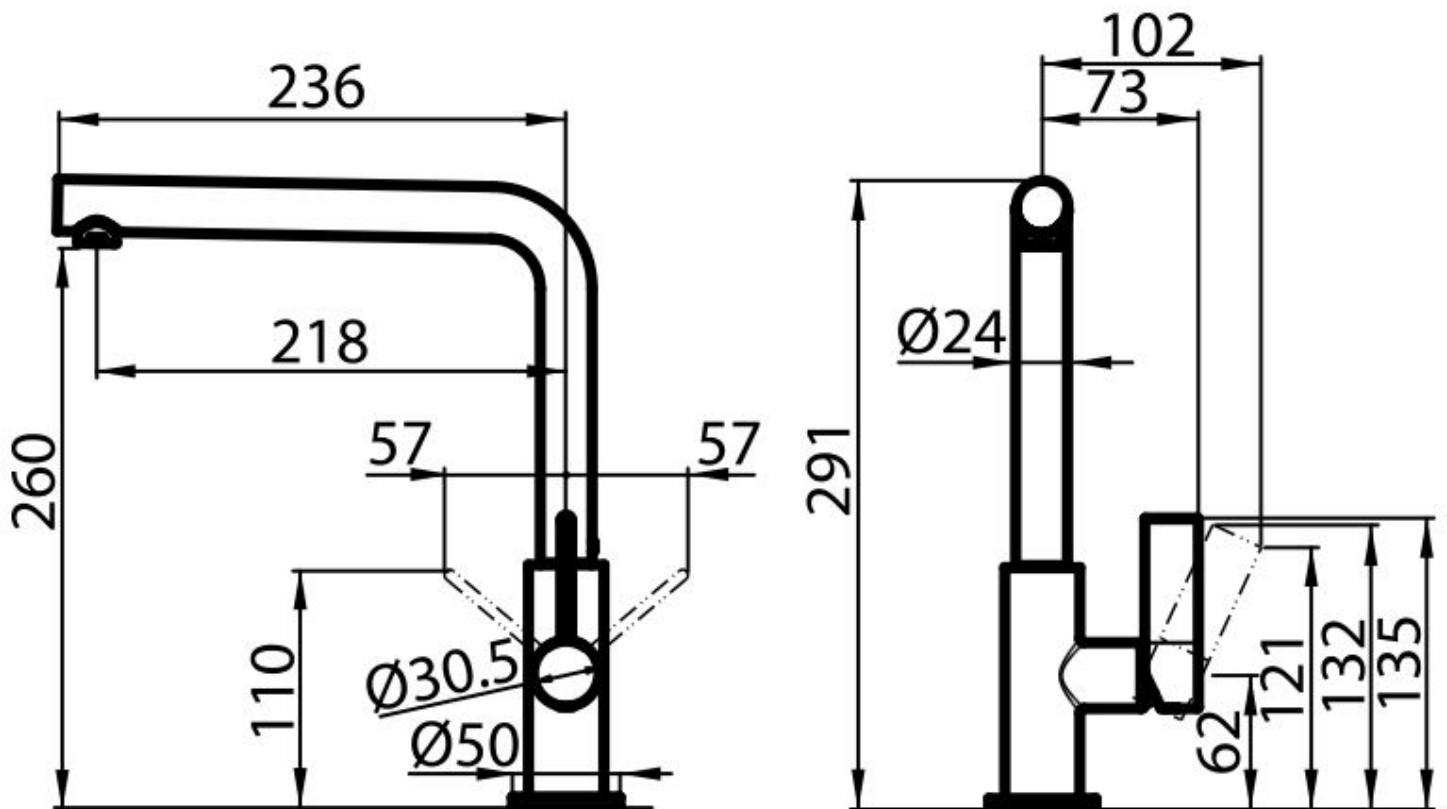
Strengthening plate

Foster's mixer taps are equipped with the strengthening plate that offers perfect stability on any sink.

Rotating angle

All the taps have a wide angle of rotation. Some models even permit a full 360° rotation.

TECHNICAL DATA



RECOMMENDED PAIRINGS



Dispenser Evo Satin

8520 100