

Reverse

Built-in socket

Code: 8000 010



Push socket-holder slot in stainless steel for built-in installation on work surfaces - 2 Schuko socket -1 USB socket for charging



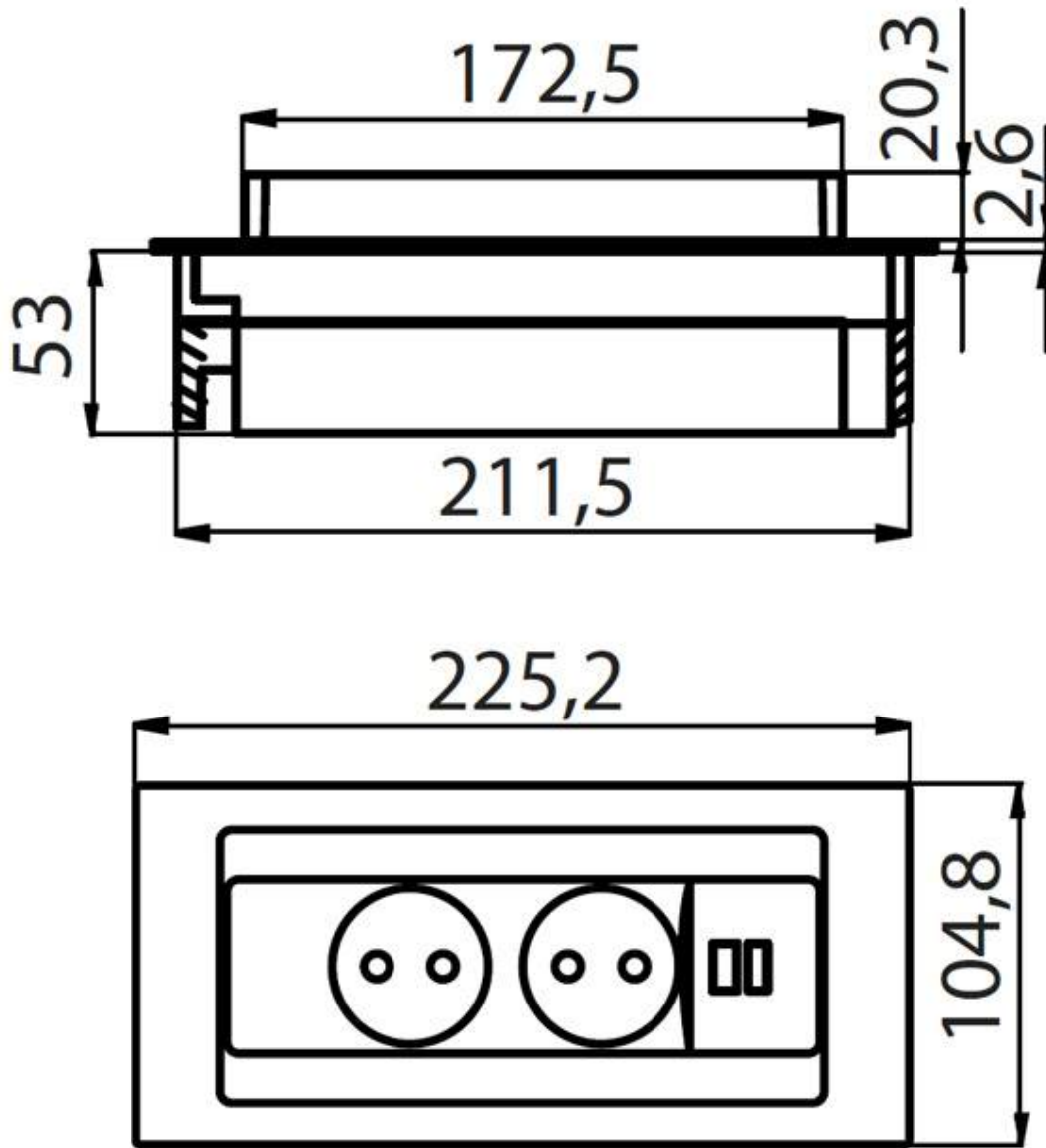
DETAILS

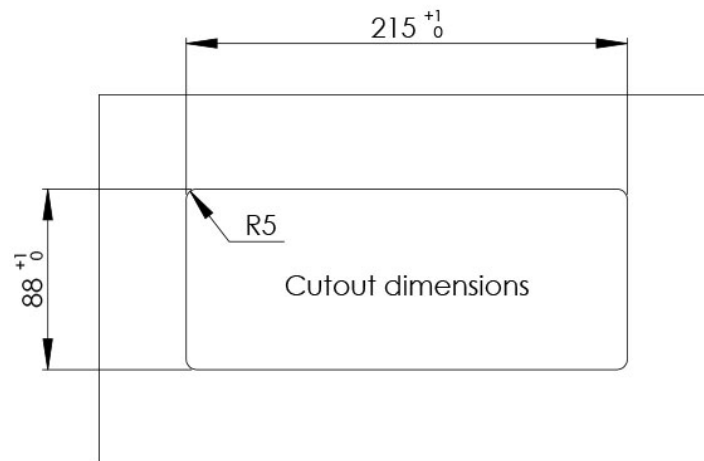
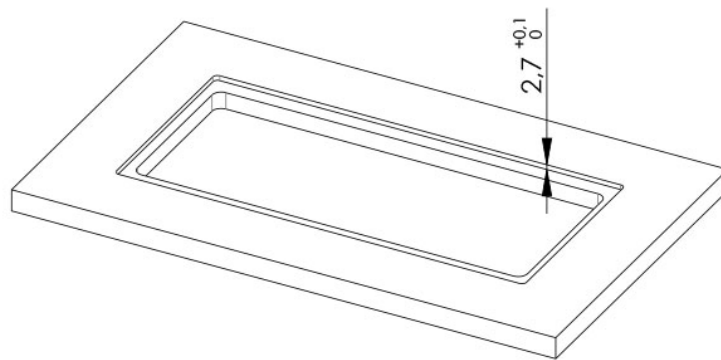
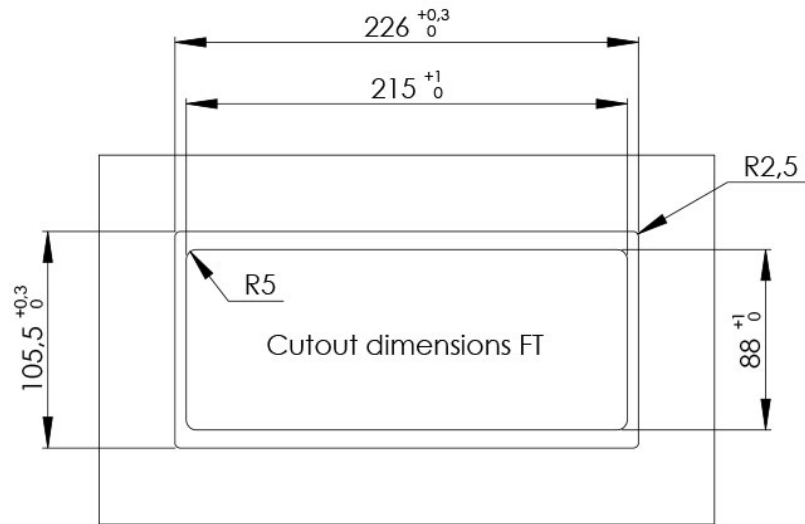
Built-in hole 215x88 mm

Notes: It's advisable to keep a distance of 40 cm from sinks or cooking hobs (protection index IP20)

Type of accessory c

TECHNICAL DATA





GALLERY

