

## Cooker hob FL

Gas hobs

Code: 7201 032



### DETAILS

Edge/Installation Type Standard (8 mm Edge)

---

Finish Foster brushed

---

Material AISI 304 stainless steel

---

Texture Satin

---

Supply 220-240 V; 50/60 Hz

---

Dimensions 860x500 mm

---

Base size 90cm

---

Heating element Five burners

---

Built-in hole 840x480 mm

---

Grids Cast iron grids and enamelled burner covers

---

Width 86 cm

---

Total power 10.500 W

---

Auxiliary 2x1.000 W

---

Semirapid 2x1.750 W

---

Dual 5.000 W

---

Safety Safety valve with quick-acting thermocouple

---

Ignition Electric ignition under knob

---

Gas type Tested for installation with natural gas, LPG nozzle set included.

---

Type Gas Hob

---

## EQUIPMENT

1 x Cast iron wok support 9601  
727

---

## FEATURES

Aeo burners The AEO burners guarantee up to 25% energy saving compared to standard burners. All models are designed with The Dual burner with 2 independent crowns, controlled by a single knob, delivers from 1 to 5KW, a power that can only be found in professional models.

---

## Cast iron grids

Cast-iron is the ideal material for an hob grid, this due to the manifold properties characterising it: high heat capacity that improves cooking performance; high weight and stability that improve safety; sturdiness that preserves the hob's original aspect over time; easy cleaning.

---

## Safe cooking

All Foster cooker hobs are equipped with safety valves. They shut off the gas supply very quickly if the flame accidentally goes out.

---

## Special burners

Many Foster hobs are equipped with special burners, with two or three rings of fire that greatly increase the power delivered and the heated surface. In the DUAL models the two fire crowns also have independent ignition, making these burners perfect for both intensive and delicate cooking.

---

## Ultra-flat hob

Design meets functionality in the the ultra-flat models. Elegant grids that form a generously sized overall surface.

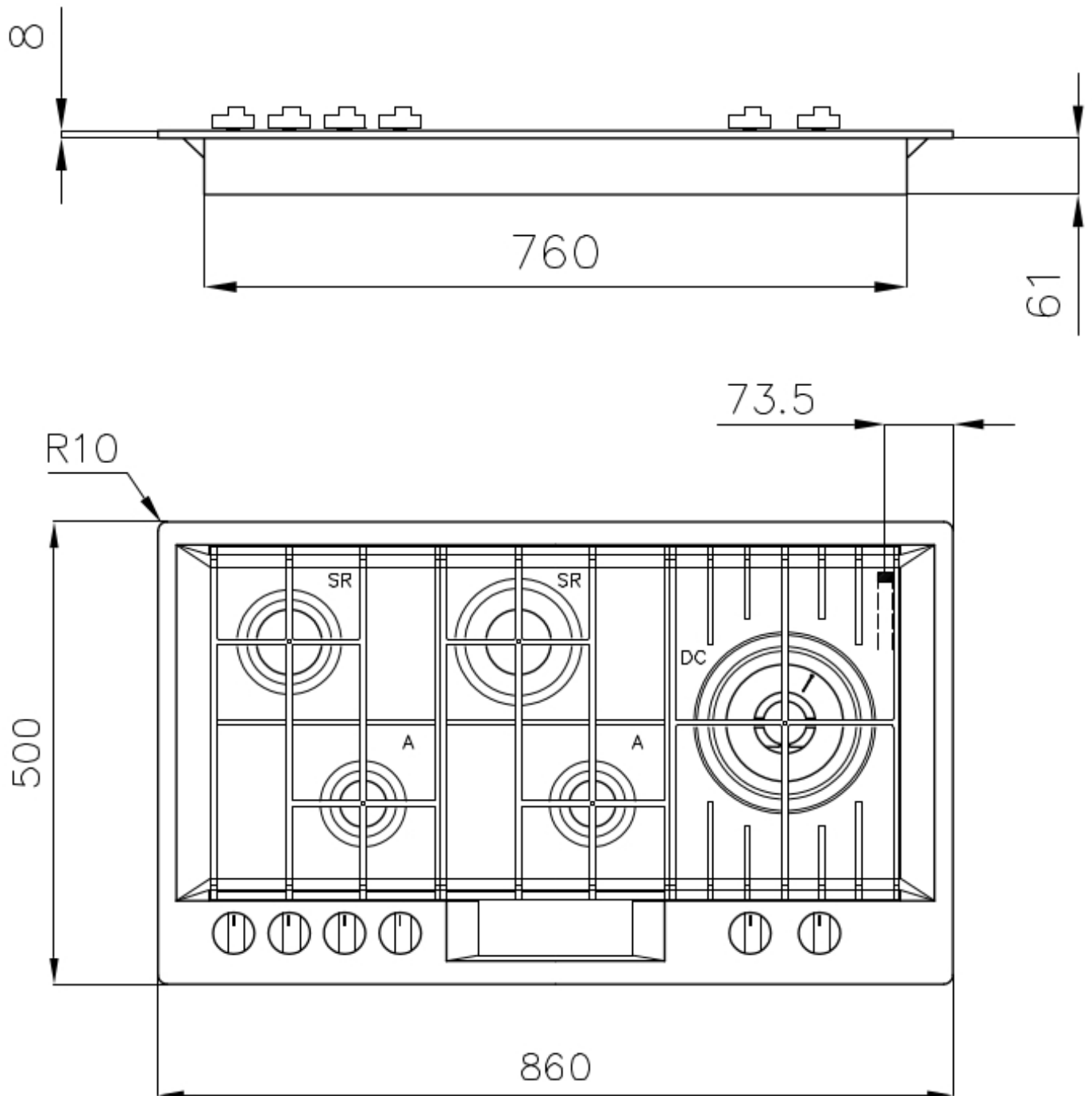
---

## Under-knob ignition

The utmost freedom of movement with electronic under-knob ignition, a common feature of all models that allows a one-hand ignition of the burner.

---

## TECHNICAL DATA



## GALLERY



## EQUIPMENT



Cast iron wok support

## RECOMMENDED PAIRINGS



Hood FL Slim black mirror



Sink FL