

Top Inox Master 3588 00x

Rangetop and Top inox

Code: 3588 00x

Code: 3588 001 - finitura spazzolato DX (Vasca a destra)

Code: 3588 002 - finitura spazzolato SX (Vasca a sinistra)



DETAILS

Material	AISI 304 stainless steel
Texture	Satin
Dimensions	2400x600 mm
Full description	Top inox Master - 2400x600 - thickness 20 mm
Heating element	Five burners
Mixer holes	2 standard holes
Drainer	Yes
Grids	Cast iron grids and enamelled burner covers
Number of bowls	2 bowls

Waste fitting Drain with automatic control SPACE

Total power 10.500 W

Auxiliary 2x1.000 W

Semirapid 2x1.750 W

Dual 5.000 W

Safety Safety valve with quick-acting thermocouple

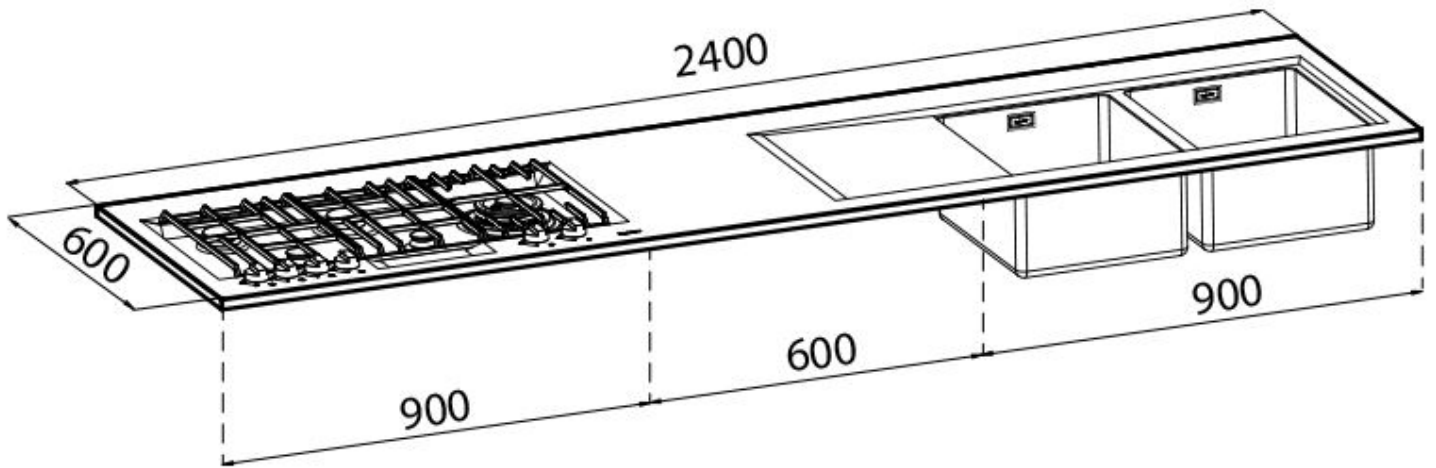
Block type Top inox

Ignition Electric ignition under knob

Gas type Tested for installation with natural gas, LPG nozzle set included.

Type Gas Hob

TECHNICAL DATA



OPTIONAL ACCESSORIES



Iroko-wood sliding chopping
board 8644 041